



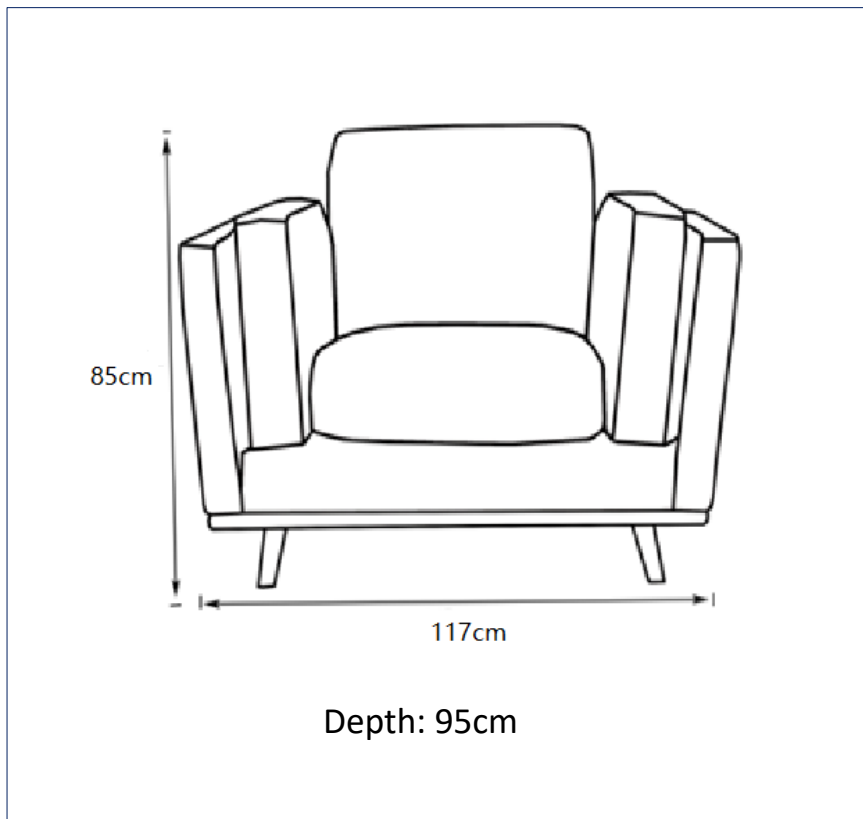
ASSEMBLY INSTRUCTION

LORAS ACCENT CHAIR

ITEM CODE 64710

Imported by Amart Furniture Pty Ltd, Qld, Brisbane Australia.

For any assistance with assembly or for missing parts please phone Amart Furniture, Customer Service Free call 1800 351 084




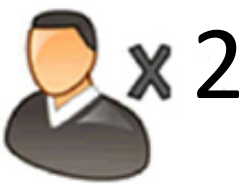

Imported by Amart Furniture Pty Ltd, Qld, Brisbane Australia.

For any assistance with assembly or for missing parts please phone Amart Furniture, Customer Service Free call 1800 351 084

PRE-ASSEMBLY PREPARATION

Before you start:

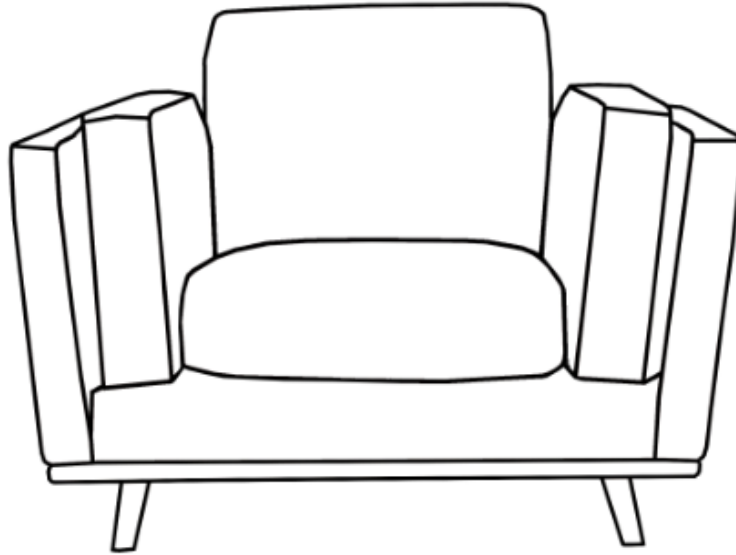
1. Choose a clean, level, spacious assembly area. Avoid hard surfaces that may damage the product
2. Take care when lifting. Product should be assembled as near as possible to the point of use
3. Ensure that you have all required contents for complete assembly
4. Always read the assembly instructions carefully before beginning assembly.
5. Keep all hardware parts and packaging out of reach of small children.
6. Do not over tighten the screws and bolts as this may damage the threads





	
ALLOW 20 MINUTES	2 PEOPLE REQUIRED
	
ADDITIONAL TOOLS REQUIRED	

Note:

Always use two people when turning your sofa over.

PARTS LIST



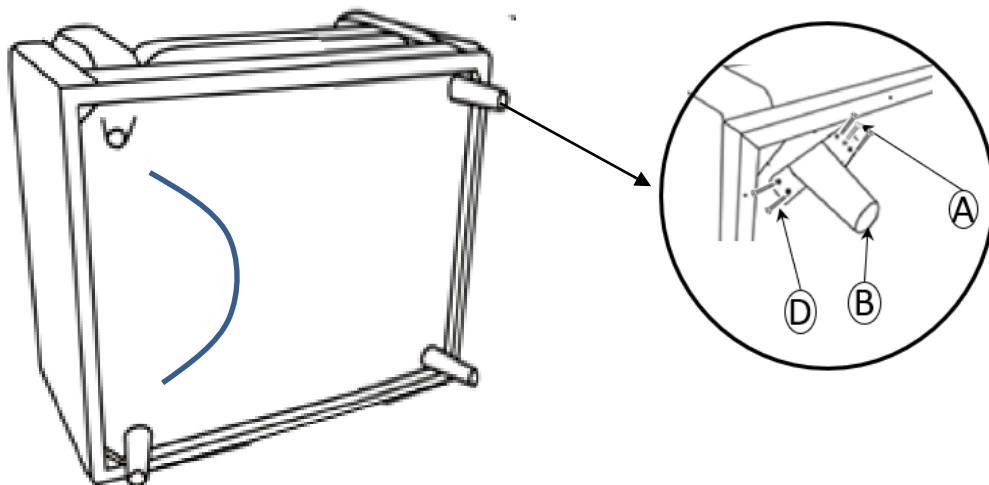
<i>HARDWARE LIST</i>				
	<i>DESCRIPTION</i>			<i>QTY</i>
<i>A</i>	Bolt	M10x45		4PCS
<i>B</i>	Inclined Sofa Legs			4PCS
<i>C</i>	Allen Key	M10		1PC
<i>D</i>	Screw	M4x40		16PCS

PLEASE NOTE:

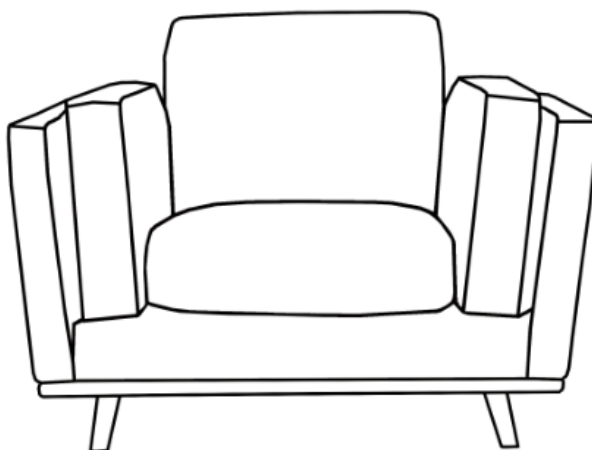
PIECES REQUIRED FOR ASSEMBLY ARE LOCATED INSIDE THE DUST COVER UNDERNEATH SOFA

Step 1

DETAILS (1) - Align base plate of each foot (B) with the pre-threaded holes in the undersides of the sofa as shown in the below diagram. Insert Bolt (A) and tighten by turning clockwise using Allen key (C) . Insert Screw (D) using additional tool.



Step 2 ASSEMBLY COMPLETED



IMPORTANT:

PLEASE ENSURE FEET ARE TIGHTENED SECURELY BEFORE USE!

CARE LABEL

FABRIC CARE

REGULAR CARE: PROTECT FROM DIRECT SUNLIGHT.
VACUUM REGULARLY USING LOW SUCTION.
ROTATE REVERSIBLE CUSHIONS REGULARLY.

CLEANING:

DO NOT REMOVE CUSHION COVERS FOR SEPARATE
CLEANING EVEN THOUGH THEY HAVE ZIPPERS.
DO NOT WASH
DO NOT DRY CLEAN
DO NOT SHAMPOO CLEAN
CLEAN WITH HOT-WATER EXTRACTION MACHINE.
(HOT) PROFESSIONAL CLEANING RECOMMENDED
DO NOT USE DISHWASHING OR LAUNDRY
DETERGENTS
USE ONLY UPHOLSTERY DETERGENTS
DO NOT WET FILLING
DRY IN SHADE AWAY FROM DIRECT HEAT AND
SUNLIGHT
ALLOW TO DRY THOROUGHLY BEFORE RE-USE

SPOT CLEANING:

DO NOT RUB
DO NOT SPOT CLEAN WITH ANY SOLVENT.
TREAT SPILLS AND STAINS AS SOON AS POSSIBLE.
GENTLY SCRAPE ANY SOIL OR MOP ANY LIQUID
FROM THE SURFACE OF THE FABRIC.
APPLY PROPRIETARY CLEANING AGENTS STRICTLY
ACCORDING TO INSTRUCTIONS TO REMOVE THE
RESIDUE OF THE SPILL.
DO NOT SATURATE THE FABRIC OR INTERIOR WITH
WATER OR OTHER CLEANING LIQUIDS.

WARNING: APPLY ONLY WATER-BASED SOIL RESIST
(FABRIC PROTECTION) TREATMENTS. DO NOT USE
AEROSOL PRODUCTS.